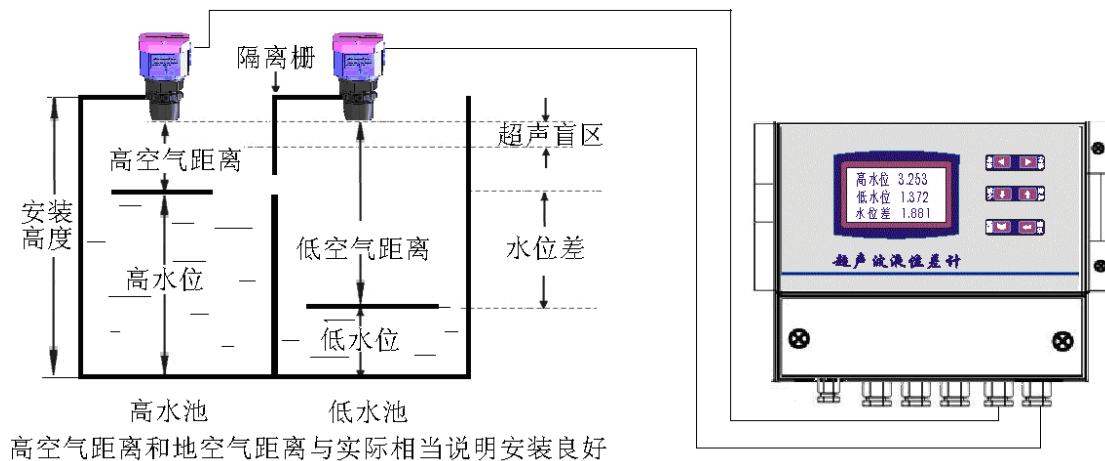


Deviation manual ultrasonic level meter manual

Outline

GLP ultrasonic level deviation intelligent non-contact level or level difference measuring instruments. Chinese display and simple operation, taking into account the standard 4-20 ma input. The product has automatic power adjustment, gain control, and temperature compensation. The imported chip processing and advanced testing computing technology to improve the measurement accuracy of the instrument, the interference signal suppression function to ensure that the measurement results of the real.

Installation Diagram



备注：安装高度：Mounting height 高空气距离：High air distance
高水位：High water level 高水池：High pool
隔离栅：Fence 低空气距离：Low air distance
低水位：Low water level 超声盲区：Ultrasonic blind spot
水位差：Water level difference
高空气距离和低空气距离与实际相当说明安装良好：The high air distance and low air distance are quite a distance that the actual instructions to install

Instrument self

When you detect or installing instrumentation to the normal power-cycle press the return key to have high and low air distance values ??(without setting the automatic detection), it should be quite the actual air distance (as far as possible in the open or low material level detection, so can ensure that the entire channel is working properly); otherwise the meter does not work, whether

reasonable judgments installation (adjust the installation position, angle, etc.).

Page description

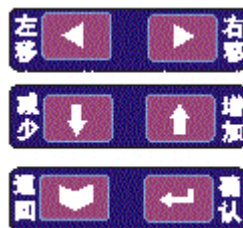
Circulation press the return key to see the following page

- a. High water level; low water level; water level difference;
- b. The small water levels removed, the water level difference range, output level difference;
- c. High air distance, low air distance, ultrasonic blind spot;

(High mounting height, low installation height ;)

Detail as shown above

左移 Left 右移 Right
减少 Decrease 增加 Increase
返回 Return 确认 Enter



Menu Use

Press the Enter key a few seconds (please enter the password XXXX) key input password, factory password 0000 to enter the setup menu interface

1. Mode

- (1) Probe: Select ultrasound
- (2) Installation: The current water level or mounting height
(Precision measurement is recommended to set the current water level)

2, The water level:

(1) The current high-water (2) the current low water level

When the mode installed a current water level (must be on-site setting) set the value of the actual height of the water level; installed when the mode selection of mounting height (May-site analog set) and mounting height

3. Range:

(1) The water level difference range (output proportional) (2) water level resection (recommended 0.005)

4, the control:

(1) 6 programmable relay output (3 high 3 low)

(2) control the hysteresis , that is to prevent the relay from frequent jitter, (Recommend 0.050)

5, the communication:

(1) The address of the machine,

(2) Baud rate: selectable 1200, 2400, 4800, 9600 E even parity n no parity

6, the password:

Remember the new password to change the password (as modified)

7, backlight:

Illumination control on or off (key button that is bright, delay in seconds automatically shut down)

8, parity: (factories alternate)

Attachment

1 Performance

Range: 0.5-30m accuracy: 0.25, 0.5%

Resolution :1-5mm Frequency: 40KHZ

Launch angle: 6 °to 12 blind spot: 0.2 ~ 0.8m

Display: LCD supply voltage: 220VAC or 24VDC

Signal output: 4 ~ 20mA standard (or optional 485232 when ordering)

Maximum load: 750 ohms control output: standard group 8A

Case Material: PVC ABS Protection class: Ip65

Ambient temperature: -20 ~ +55 °C Mounting thread: M66x3

2, the instrument anomaly analysis

A not adopt to the signal represented as FFFF ()

(1) The wiring is good

(2) the installation vertical

(3) whether the power of small (for example: the surface of the liquid foam, floating debris, smoke, dust, etc.; allows for increased power)

B, show figures do not change (does not vary with changes in the level of the water level).

(1) The level height into the blind spot

(2) above the water level or the side there is an obstacle

(3) install the port setting or location does not meet the requirements of C, show figures of changes back and forth to tamper

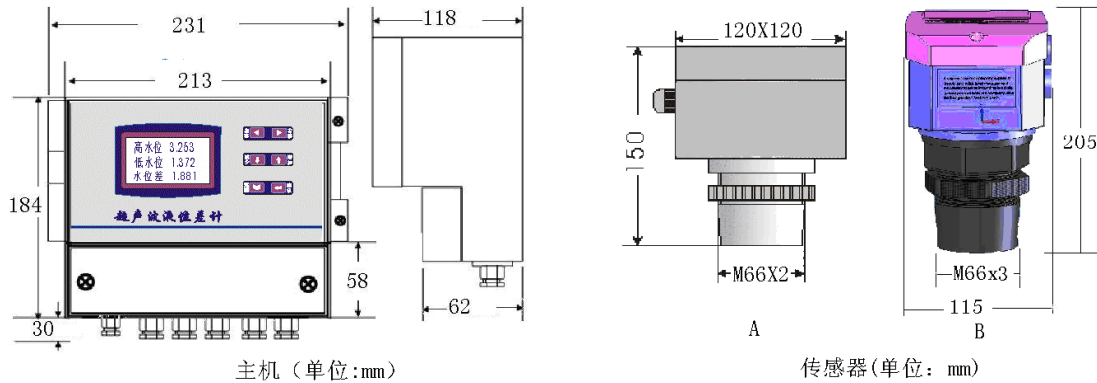
(1) The water level of the top or the side of an obstacle. (Change the installation location, etc.)

(2) strong interference sources, etc.

(3) The instrument itself is bad

Tip: When you repeatedly not find the reason, the analysis necessary to communicate with manufacturers

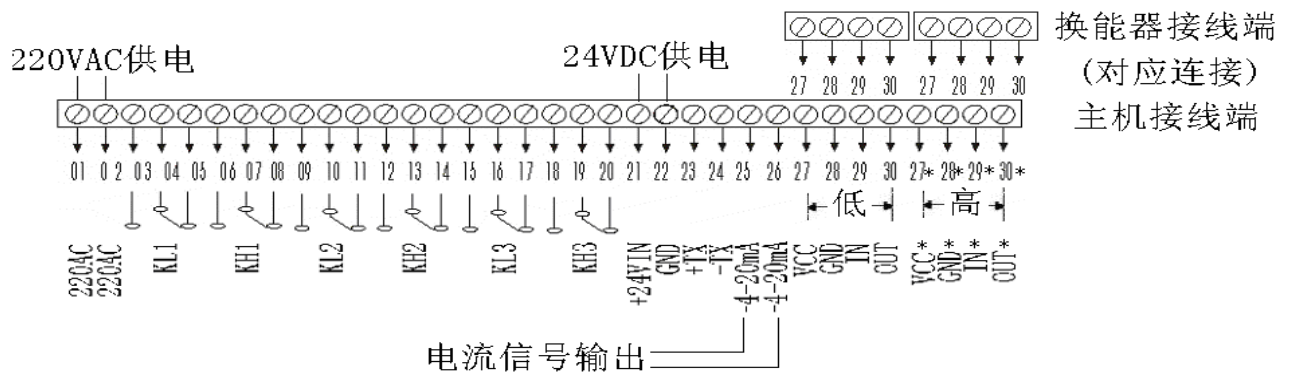
3.Meter size



主机 : Host

传感器: Sensor

4.Wiring diagram (instrument with)



供电 Power supply

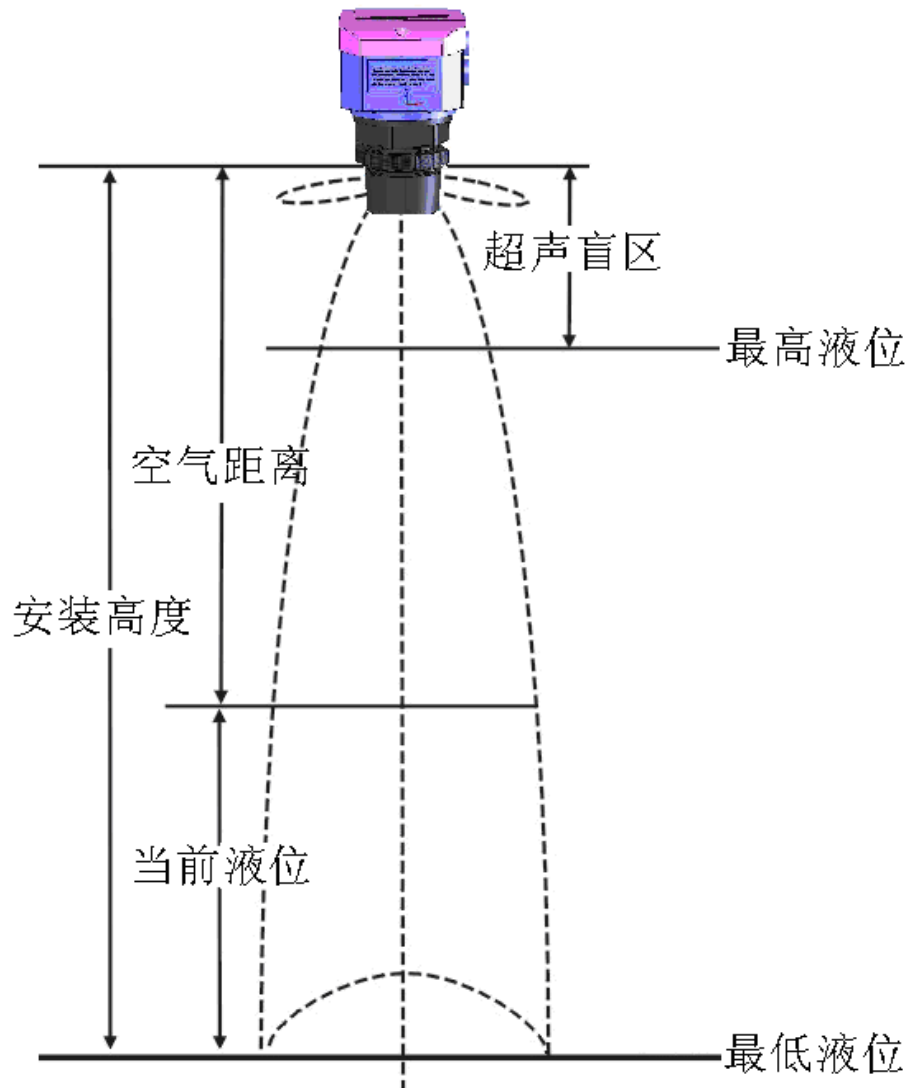
主机接线端 Host terminal

换能器接线端 Transducer terminal

电流信号输出 Current signal output

5.Installation Issues

Emission angle and blind spots exist in ultrasonic level meter, so we choose the installation location can not leave the edge too close, so as not to affect the normal working of the instrument

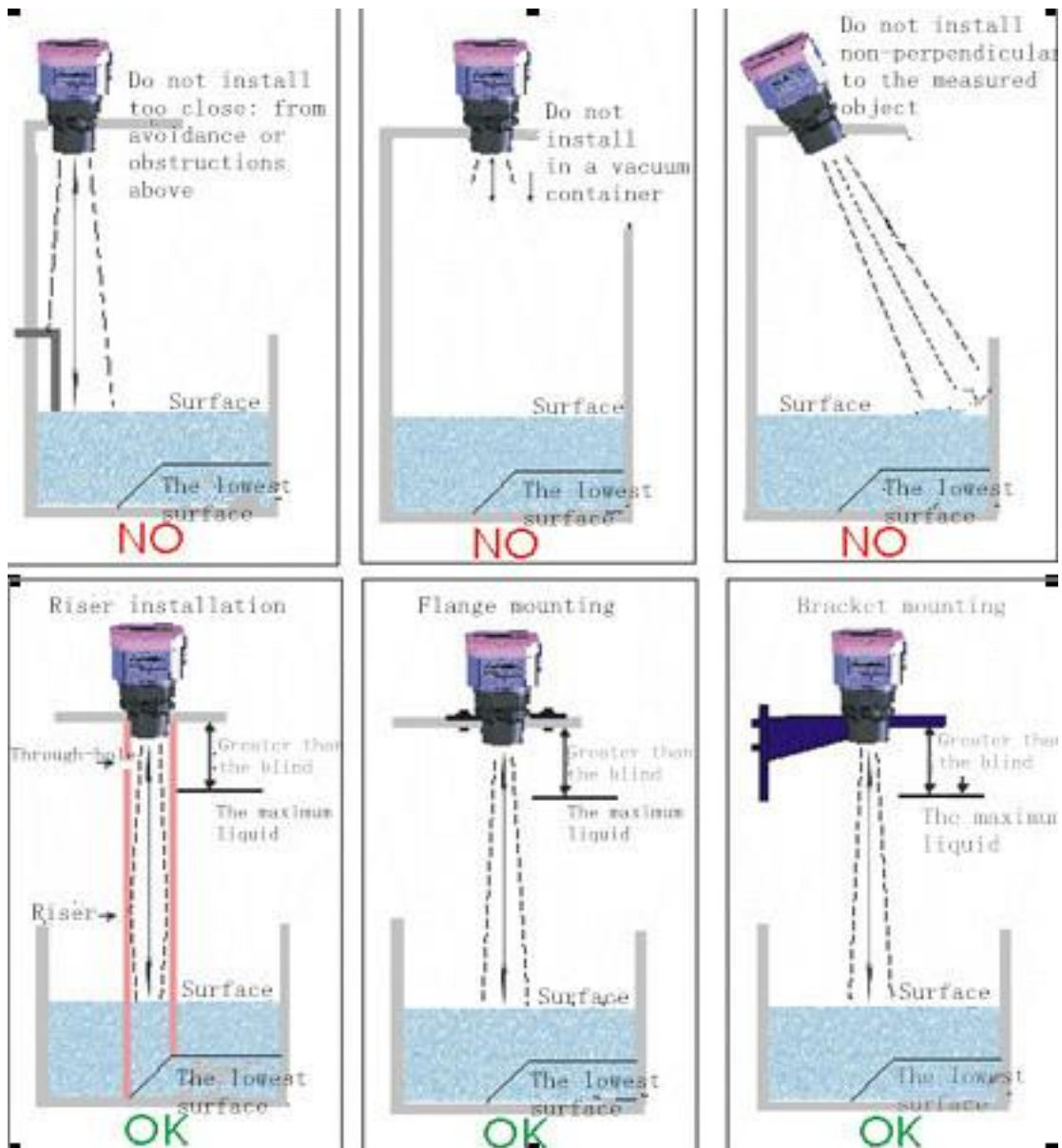


当显示的高、低空气距离与实际值相当，说明安装良好

When you need to access the standard 4-20mA probe signal measured water level difference when ordering instructions

安装高度: Mounting height	空气距离: Air distance
最高液位: Highest liquid level	当前液位: Current liquid level
最低液位: Lowest liquid level	超声盲区: Ultrasonic blind spot

当显示的高和低空气距离与实际相当说明安装良好: The height and low air quite a distance that the actual instructions to install



Page description

Circulation press the return key to see the following page

The water level is high, the water level is low, the water level;

The small water levels removed, the water level difference range, output level difference;

Probe range, high-water current, the current low water level;

Menu Use

Press the Enter key a few seconds (please enter the password XXXX) key input password, factory password 0000 to enter the setup menu interface

1, mode:

Probe: Select 4 ~ 20mA.

2, the water level (No)

3, range:

(1) probe range (input range)

(2) water level difference range (output is proportional to the)

(3) The water level resection (recommended 0.005)

4, the control:

(1) 6 programmable relay output (3 high 3 low)

(2) control the hysteresis, that is to prevent the relay from frequent jitter, (Recommend 0.050)

5, the communication:

(1) The address of the machine,

(2) the baud rate → optional 1200, 2400, 4800, 9600 E parity n no parity

6, the password:

Remember the new password to change the password (as modified)

7, backlight:

Illumination control on or off (key button that is bright, delay in seconds automatically shut down)

8, parity: (factories alternate)